



## Sagittarius Business House - Poland

Green is not just a color. Green is above all an environment to be cared for. The choice of FlowCon is obvious.

Sagittarius Business House is a modern Class A seven-story office building which offers a leasable area of 24,900 m<sup>2</sup>. The project is located at the junction of Borowska Street and Sucha Street in the city of Wrocław, Poland.

The project and building facilitator, Echo Investment, works after the principle of 'Business Ergonomics' which infuses every stage in the office investment - from the choice of location through design, implementation and management of the facility where they only offer their clients the highest quality - the choice for FlowCon was easy.

### Application

The office spaces in the Sagittarius Business House meet the highest standards. They are among others equipped with an energy-saving HVAC system including air-conditioning and ventilation system, so the comfort of the whole office space is high.

### Project configurations

FlowCon International is the sole supplier of balancing and temperature control valves and PICVs.

**Developer:** Echo Investment SA, Kielce

**Architect:** Arcad Architectural Studio, Kielce

**Contractor:** Porr Polska Construction SA

**Project name:** Sagittarius Business House, Wrocław

**Configuration of building:** FCU's

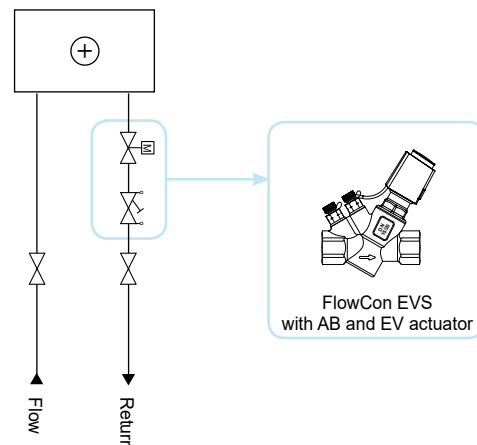
**Number of valves:** 2500 valves

**Valve model:** FlowCon EVS and FlowCon Green

**Configuration:** Balancing temperature control valves on FCU's and PICVs

**Types of job/application:** New building

**Date of installation:** June 2016 - February 2018.



**FlowCon**  
international

A Griswold Controls LLC./FlowCon International Company

[www.flowcon.com](http://www.flowcon.com)

DENMARK • DUBAI • USA • CHINA • SINGAPORE